

# romeo relax.cal 808\_R



## Model Code F2243

date of issue 07-06-22 revision 01  
revision of 27-01-25 (the present replaces any previous versions)

**Designer:** centro studi interno.

**Structure:** pinewood, multilayer and plywood covered with polyurethane foam.

**Spring system:** elastic webbing.

**Seat Padding:** seat cushions in ecological polyurethane foam covered with 100% polyester padding and memory foam.

**Back Padding:** back cushions and headrests in ecological polyurethane foam covered with 100% polyester padding.

**Arm Interior:** armrests in ecological polyurethane foam covered with 100% polyester padding.

**Removability:** not available.

**Sewing:** leather coverings feasible with contrast stitching in the colors available; cuts and sewing vary on microfiber (or fabric) coverings.

**Mechanisms:** electric recliner versions available with electrically liftable headrests and electric recliner mechanisms operated by a touch button positioned on the seat sides for armrest sides recliner versions and on the seat sides for armless recliner versions. Manually liftable headrests on electric recliner versions with manual headrests, on non recliner sides of RHF/LHF electric recliner versions and fixed (non recliner) versions. The depth of the model with open recliner is 154 cm. The height of the model with lifted headrests is 95 cm.

**Components:** version (M79) is equipped with a flexible, removable touch technology LED lamp and aluminum varnished abs beverage holder. The beverage holder and the LED lamp are not available on version (M00). Version (M80) comes with a storage compartment, that can be used by lifting the wooden layer and is not equipped with beverage holder and LED lamp. Version (M02) comes with a storage compartment, that can be used by lifting the wooden layer and is equipped with a flexible, removable touch technology LED lamp and aluminum varnished abs beverage holder.

**Standard feet:** the model is lifted 12 cm off the floor. Standard feet in metal with shiny finish. Alternatively, it is possible to choose among the standard finishes enclosed in the sample book. The sample book also includes "special" finishes available with a price upcharge, subject to production approval. Some versions may be equipped with hidden feet with a supporting structural function.

**Optional versions:** armrest pillow version (870) in 100% polyester padding covered with white cotton.

**Please note:** armless versions are equipped with feet PM920. Ottoman version (635) displays different aesthetic features if compared with the model. WARNING! The recliner models 1B. RECLINER (D84, D85, C36,C37, D86, D87, 173, 174, D88, D89, 612, 613,) and the recliner models S.B. RECLINER (I06, E95, I82,) CANNOT be placed adjacent to the corner model Q. (040), corner model POL. MERIDIEN (043, 044).

We reserve the right to amend materials, covers and product dimensions shown on the data sheet, for production purposes and without prior notice. The line drawings, graphic information, dimensions, and volume provided are approximate and may vary due to the tolerances allowed in the production process with a view to improvements. The following maximum load values are recommended under normal use: armchairs max. 120 kg, 2-seater sofas max. 200 kg (2x100 kg), 3-seater sofas max. 240 kg (3x80 kg). Exceeding the recommended load may cause a structural failure of the sofa/armchair or its components.

### Density of seat and back kg/cbm (±5%) <sup>(1)</sup>

Markets	Seat	Back
I	35 Medium HR	27 HR
D - NL - CH		
USA - California	35 soft HR	27 soft HR
GB	35 fire retardant	25 fire retardant
Others	35 Medium HR	27 HR

<sup>(1)</sup>Density: volume mass apparently determined on materials without any kind of covers and according to the UNI EN ISO 845 regulations. Indicated values refer to production averages; the Company reserves the right, if needed, to make changes to the declared technical characteristics. Before use, it is advisable to look at the SAFETY INFORMATION TECHNIQUE for info regarding use and protection of people and of the environment, in compliance with existing EEC regulations.

### Coverings

	suggested	not suggested	not possible
thick leathers	✓		
thin elastic leathers	✓		
natural leathers	✓		
fabric*	✓		
microfibre*	✓		
leather + split	✓		
DeLuxe*			✓
multi colour**	✓		
multi-category**	✓		
multi covering**	✓		

Please note: for not removable models, only one colour fabric covers are available.

\* Deluxe, Fabrics and microfibers are not available for the U.K. - USA/CA - IE market.



T\_SENS808R



C\_870



808\_led

### Feet



PM913



PM920



### Ottoman



↑ fold following the dotted line ↑

# romeo relax.cal 808\_R



L Length - H Height - D Depth - SH Seat Height - SD Seat Depth  
 Dimensions refer to maximum sizes of the version with closed mechanism (where available).

dimensions	L 110 H67 D107 SH42 SD61		L 112 H67 D107 SH42 SD61		L 112 H67 D107 SH42 SD61		L 176 H67 D107 SH42 SD61		L 196 H67 D107 SH42 SD61		
version code	100		161		E34		200		240		
Description	chair		chair with elec.recl.		el.rec.chair manual headrest		2 seater		2 1/2 seater		
L 212 H67 D107 SH42 SD61	L 96 H41 D70 SH- SD-	L 60 H40 D10 SH- SD-	L 52 H52 D100 SH- SD- M00	L 52 H52 D100 SH- SD- M79	L 52 H52 D100 SH- SD- M80	L 52 H52 D100 SH- SD- M02	L 89 H67 D107 SH42 SD61	L 89 H67 D107 SH42 SD61	L 89 H67 D107 SH42 SD61	L 89 H67 D107 SH42 SD61	L 89 H67 D107 SH42 SD61
300	635	870					B68	B69	C36	C37	D84
3 seater	rectangular ottoman	armrest	x armrest	outfitted x armrest	holder x armrest	outfitted holder x armrest	mini chair raf	mini chair laf	rhf el.rec.mini chair	lhf el.rec.mini chair	rhf el.rec.mini ch.man.hrest
L 89 H67 D107 SH42 SD61	L 99 H67 D107 SH42 SD61	L 99 H67 D107 SH42 SD61	L 99 H67 D107 SH42 SD61	L 99 H67 D107 SH42 SD61	L 99 H67 D107 SH42 SD61	L 89 H67 D107 SH42 SD61	L 89 H67 D107 SH42 SD61	L 99 H67 D107 SH42 SD61	L 99 H67 D107 SH42 SD61	L 99 H67 D107 SH42 SD61	
D85	110	120	173	174	D86	D85	B68	B69	C36	C37	D84
lhf el.rec.mini ch.man.hrest	1 right arm facing chair	1 left arm facing chair	elec.rec.chair 1arm raf	elec.rec.chair 1arm laf	rhf el.rec.chair man.hrest	lhf el.rec.mini ch.man.hrest	mini chair raf	mini chair laf	rhf el.rec.mini chair	lhf el.rec.mini chair	rhf el.rec.mini ch.man.hrest

↓ fold following the dotted line ↓

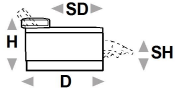


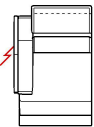
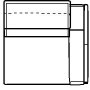
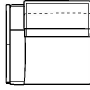
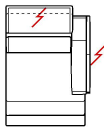
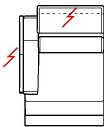
↑ fold following the dotted line ↑

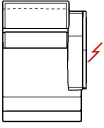



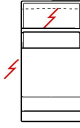
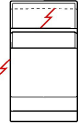
# romeo relax.cal 808\_R

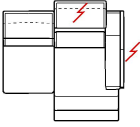
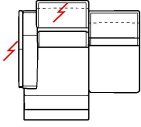
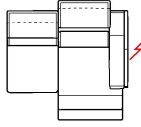
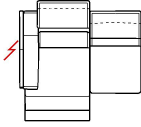




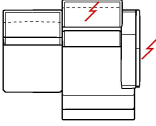
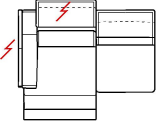
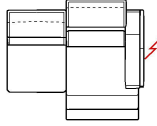
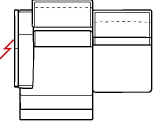
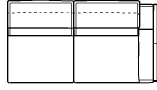
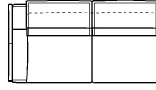
L Length - H Height - D Depth - SH Seat Height - SD Seat Depth  
 Dimensions refer to maximum sizes of the version with closed mechanism (where available).



					
dimensions	L 99 H67 D107 SH42 SD61	L 107 H67 D107 SH42 SD61	L 107 H67 D107 SH42 SD61	L 107 H67 D107 SH42 SD61	L 107 H67 D107 SH42 SD61
version code	D87	114	124	612	613
Description	lhf el.rec.chair man.hrest	rhf maxi chair	lhf maxi chair	1raf maxi chair rec.el	1laf maxi chair rec.el

					
L 107 H67 D107 SH42 SD61	L 107 H67 D107 SH42 SD61	L 75 H67 D107 SH42 SD61	L 67 H67 D107 SH42 SD61	L 77 H67 D107 SH42 SD61	L 85 H67 D107 SH42 SD61
D88	D89	130	106	E95	I82
rhf el.rec.maxi ch.man.hrest	lhf el.rec.maxi ch.man.hrest	chair without armr.	armless mini chair elec.rec.	elec.recl.armless chair	el.rec.arml.maxi chair

					
L 154 H67 D107 SH42 SD61	L 154 H67 D107 SH42 SD61	L 154 H67 D107 SH42 SD61	L 154 H67 D107 SH42 SD61	L 174 H67 D107 SH42 SD61	L 174 H67 D107 SH42 SD61
395	396	170	171	251	252
1rgt arm fac.2str elec.rec.	1lft arm fac.2str elec.rec.	rhf el.rec.2- s.man.headr.	lhf el.rec.2- s.man.headr.	1 right arm fac.2 1/2 str	1 left arm fac. 2 1/2 str

					
L 174 H67 D107 SH42 SD61	L 174 H67 D107 SH42 SD61	L 174 H67 D107 SH42 SD61	L 174 H67 D107 SH42 SD61	L 190 H67 D107 SH42 SD61	L 190 H67 D107 SH42 SD61
G06	G07	172	173	310	320
rhf 2 1/2 seater el.rec.	lhf 2 1/2 seater el.rec.	rhf el.rec.2,5- s.man.head.	lhf el.rec.2,5- s.man.head.	1right arm facing 3 str	1left arm facing 3 str

↓ fold following the dotted line ↓



↑ fold following the dotted line ↑

# romeo relax.cal 808\_R



L Length - H Height - D Depth - SH Seat Height - SD Seat Depth  
 Dimensions refer to maximum sizes of the version with closed mechanism (where available).

dimensions	L 190 H67 D107 SH42 SD61		L 190 H67 D107 SH42 SD61		L 190 H67 D107 SH42 SD61		L 190 H67 D107 SH42 SD61		L 98 H67 D165 SH42 SD121			
version code	403		404		174		175		410			
Description	1rgt arm fac.3str elec.rec.		1lft arm fac.3str elec.rec.		rhf el.rec.3-s.man.headr.		lhf el.rec.3-s.man.headr.		chaise lon.rhf arm fac			
	L 98 H67 D165 SH42 SD121 420		L 106 H67 D165 SH42 SD121 601		L 106 H67 D165 SH42 SD121 602		L 105 H67 D105 SH42 SD61 040		L 240 H67 D107 SH42 SD61 043		L 240 H67 D107 SH42 SD61 044	
	chaise lon.lhf arm fac		maxi chaise lon.rgt arm fac.		maxi chaise lon.lft arm fac.		square corner		sq.cor.chr.sq.mer.rig.fac.		sq.cor.chr.sq.mer.left fac.	
	L 229 H67 D107 SH42 SD61 347		L 229 H67 D107 SH42 SD61 348		L - H- D- SH- SD- W37		L - H- D- SH- SD- W58		L - H- D- SH- SD- W59		L - H- D- SH- SD- W61	
	1right arm facing 3/3 str		1left arm facing 3/3 str		404 + 601		c37 + m02 + c36		c37 + m02 + i06 + m02 + c36		174 + m02 + e95 + m02 + 173	

↓ fold following the dotted line ↓



# romeo relax.cal 808 R

## Model Code F2243

date of issue 07-06-22  
 revision 01 of 14-06-23  
 (the present replaces any previous versions)



**\*\*Multicover (combination of different materials)**  YES  NO

**\*\*Multicolor (different colors belonging to the same material)**  YES  NO

1st cover  SPLIT  LEATHER  FABRIC  MICROFIBER

1st color  SPLIT  LEATHER  FABRIC  MICROFIBER

2nd cover  SPLIT  LEATHER  FABRIC  MICROFIBER

2nd color  SPLIT  LEATHER  FABRIC  MICROFIBER

3rd cover  SPLIT  LEATHER  FABRIC  MICROFIBER

3rd color  SPLIT  LEATHER  FABRIC  MICROFIBER

**\*\*Multicategory (different categories belonging to the same material)**  YES  NO

entirely in leather, fabric or microfiber. MULTICOLOR: available in the same article of leather, fabric or microfiber in two tones: 1st color: outer sides and edge; 2nd color: seat and back cushions. MULTICOVERING: available in leather / fabric or microfiber; 1st cov. in leather: outer sides and edge; 2nd cov. in fabric or microfiber: seat and back cushions. \*\*\*\*\* PLEASE NOTE! RHF/LHF REC. CHAIRS (D84, D85, C36, C37, D86, D87, 173, 174, D88, D89, 612, 613) AND ARMLESS REC. CHAIRS (I06, E95, I82) CANNOT BE PLACED NEXT TO SQUARE CORNER VERSIONS (040), SQUARE CORNER CHAIR W/MERID. VERSIONS (043, 044), RHF/LHF CHAISE LONG (410/420), RHF/LHF MAXI CHAISE LONG (601/602).

